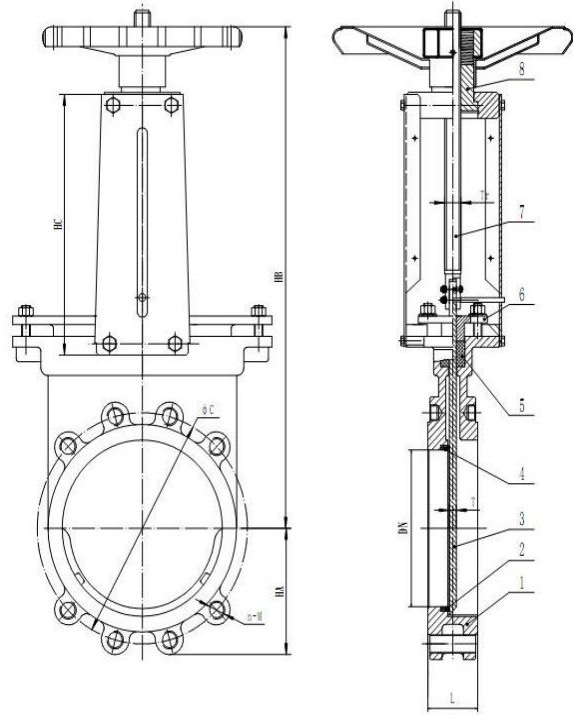


OK-202-HANDWHEEL



OK VALVE®
宏邦阀门

NO.	PART	Choose	QTY
1	BODY	GGG40	1
2	SEAT	EPDM/NBR	1
3	GATE	SS304/SS316	1
4	RETAINER	SS304/SS316	2
5	O-RING	NBR	5
6	GLAND	GGG40	3
7	STEM	SS304/SS316	1
8	LOCK NUT	BRASS	
TEST PRESSURE		HYDROSTATIC	
		SHELL	1.5 MPa
		SEAL	1.1 MPa
STANDARD	DESIGN CODE	EN 593	
	INSPECTION & TEST	EN 12266	
	END STANDARD	PN10	
	FACE TO FACE	EN 558	



GENERAL CHARACTERISTICS

Range : from DN 50 to DN 600.

Function ON/OFF or regulation.

Wafer threaded mounting ISO PN10.

Unidirectional tightness, direction indication thanks to the arrow on the body.

Small retention zone: the gate is guided in the body and has little clearance.

Gland assembly: packing and O-ring (same materials as seat joint) to assure the elasticity and decrease the operating torque. Small head loss. Possibility to regulate thick fluids with the adaptation of a diaphragm ring.

STANDARDS

Manufacture according to the requirements of the European directive 2014/68/UE «Equipments under pressure» : modulate H.

On request : Product in accordance to european directive

"Potentially explosive atmospheres" N° 94/9/EC :

ATEX II 2 GD c and ATEX II 3 GD c.

Test procedures are established according to standards EN 12266-1,

DIN 3230, BS 5154 and ISO 5208.



DN250-DN600 CONTACT

Size	HA	HB	HC	HC	φ C
2"/DN50	65	289	153	43	PN10
2-1/2"/DN65	70	313	172	46	PN10
3"/DN80	95	335	182	46	PN10
4"/DN100	108	380	215	52	PN10
5"/DN125	124	415	235	56	PN10
6"/DN150	135	470	260	56	PN10
8"/DN200	165	580	325	60	PN10